

ALLIA is internationally recognized for its expertise in the design and manufacture of process equipment, incorporating any type of corrosion-resistant materials.

HEAT EXCHANGERS

COLUMNS

PRESSURE VESSELS / REACTORS

**CARBON STEEL
+ CLADDING**



STAINLESS STEEL



**SUPER ALLOYS
NICKEL
ZIRCONIUM
TANTALUM**



CORROSIVE FLUIDS

- Nitric acid
- Ammonia
- Urea
- Phosphoric Acid
- Hydrochloric acid
- Flue gas
- Steam...

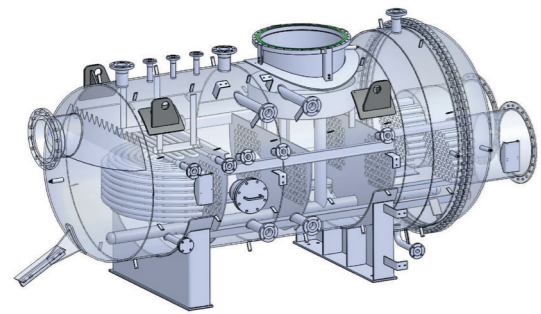
TITANIUM



See Detail

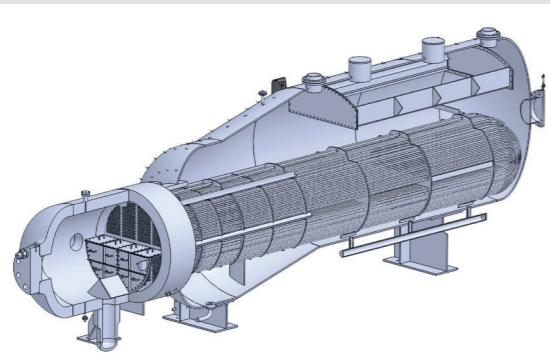
For new plants, revamping and upgrading as well, **ALLIA** offer 40 years experiences in:
PROCESS PERFORMANCE GUARANTEE / SKIDDED PACKAGES / TURNKEY PROJECTS

HEAT EXCHANGERS

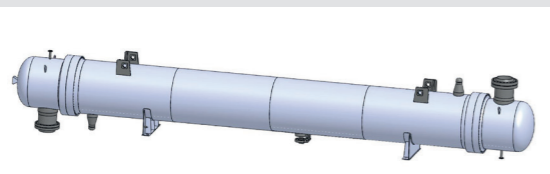


HEATER

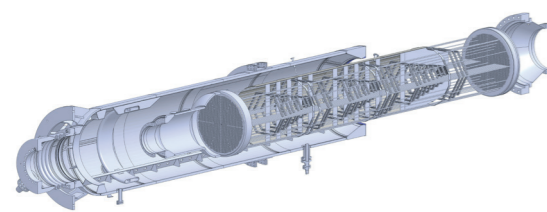
EVAPORATOR



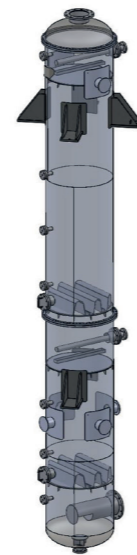
COOLER



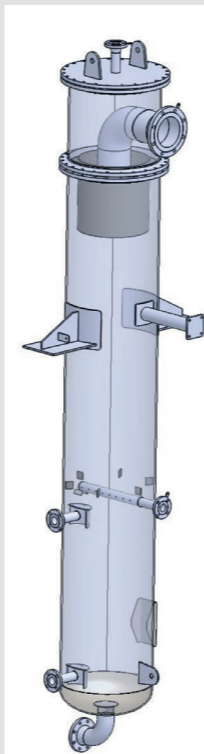
CONDENSER



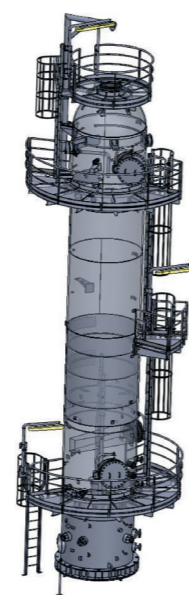
COLUMNS



DISTILLATION COLUMN



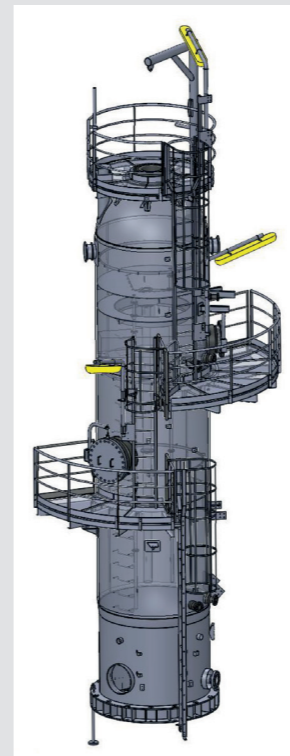
STRIPPING COLUMN



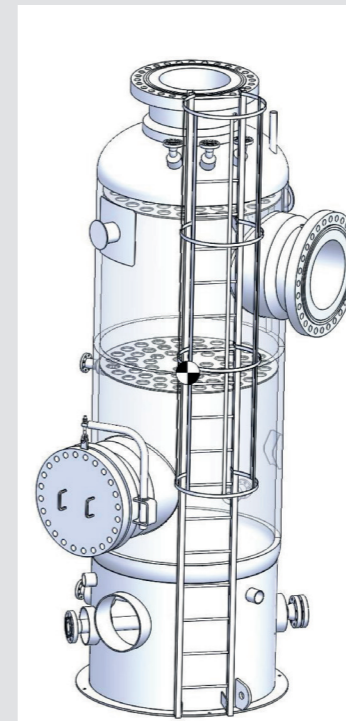
ABSORPTION COLUMN

PRESSURE VESSELS / REACTORS

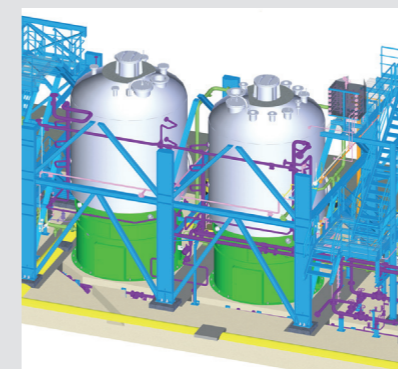
SEPARATOR



FILTER



REACTOR



GENERATOR



ALLIA owns the most innovative process technologies to supply from basis equipment up to skid-mounted process packages.

