

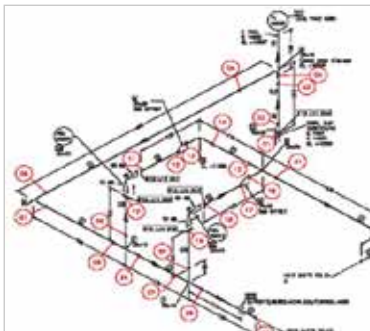
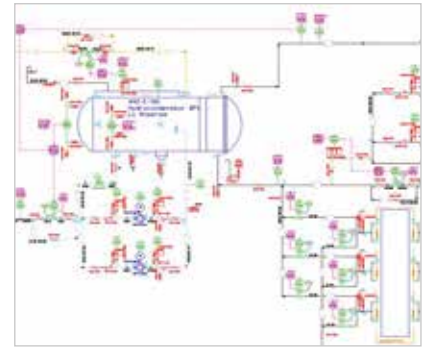
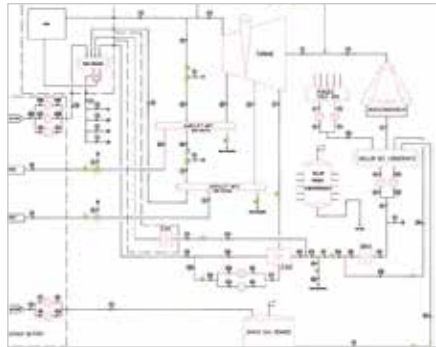
## CYCLE WATER-STEAM / COGENERATION

In almost 35 years, ALLIA has become a major player in the design, manufacturing and installation of steam generation unit.

*Designer & manufacturer of turnkey units, we offer the following services:*

### THERMAL DESIGN

PFD, PID  
HEAT EXCHANGER CALCULATIONS  
TECHNICAL SPECIFICATIONS  
FUNCTIONAL ANALYSIS



### MECHANICAL DESIGN

3D MODEL  
DRAWINGS FOR CIVIL ENGINEERING  
STRUCTURE CALCULATIONS  
FLEXIBILITY CALCULATIONS

MANUFACTURING  
ASSEMBLY  
CONNECTINGS  
COLD AND HOT TESTS  
START UP  
PERFORMANCE TESTS  
TRAINING



### ALLIA 's advantages

A unique combination of know-how to complete turnkey projects

- **Operational** project team
- Completion of **all the services internally** (design, manufacturing, installation)
- **Reactivity and flexibility** of a French SME

### ● EDF in Aramon and Cordemais (FRANCE)

Thermal power plant revamping for the production of auxiliary steam including:

- Steam transformer type BKU
- Steam Desuperheater 7T
- Piping, instrumentation and valves
- Tests & commissioning



### ● DALKIA Biowatt in Angers (FRANCE)

Design and manufacture of the mechanical B.O.P. of a biomass cogeneration plant including:

- Steam supply H.P. : 32T/h at 78 bars, 495°C
- Working with or without turbine with vacuum air-cooled condenser
- Group turbine-alternator of 7,5MW electr., with 2 MP and LP racking
- 2 heat networks with hydrocondensers of 16 and 10 MW
- Utilities (process fluid and cooling, compressed air, waste,...) and interfaces.

### ● COFELY-DRT in Vielle-Saint-Girons (FRANCE)

Design and manufacture of the mechanical B.O.P. of a biomass cogeneration plant including:

- Steam supply H.P.: 60T/h at 120 bars, 520°C
- Working with or without turbine with vacuum air-cooled condenser
- Group turbine-alternator of 17MW electr., with 2 MP and LP racking
- 2 Regulated steam deliveries 13 and 6 bars, utilities (process fluid and cooling, compressed air, waste,...) and interfaces.

